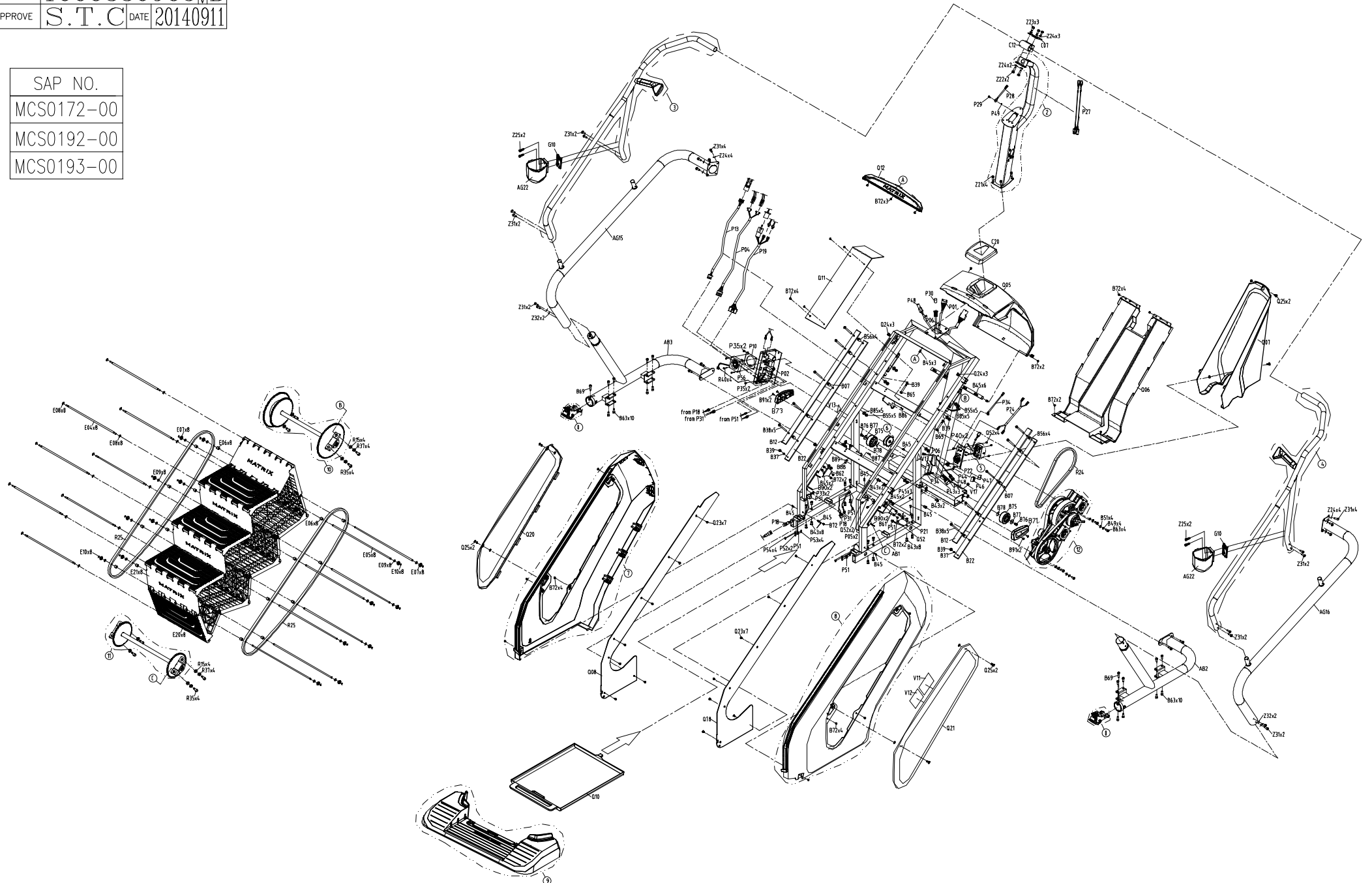
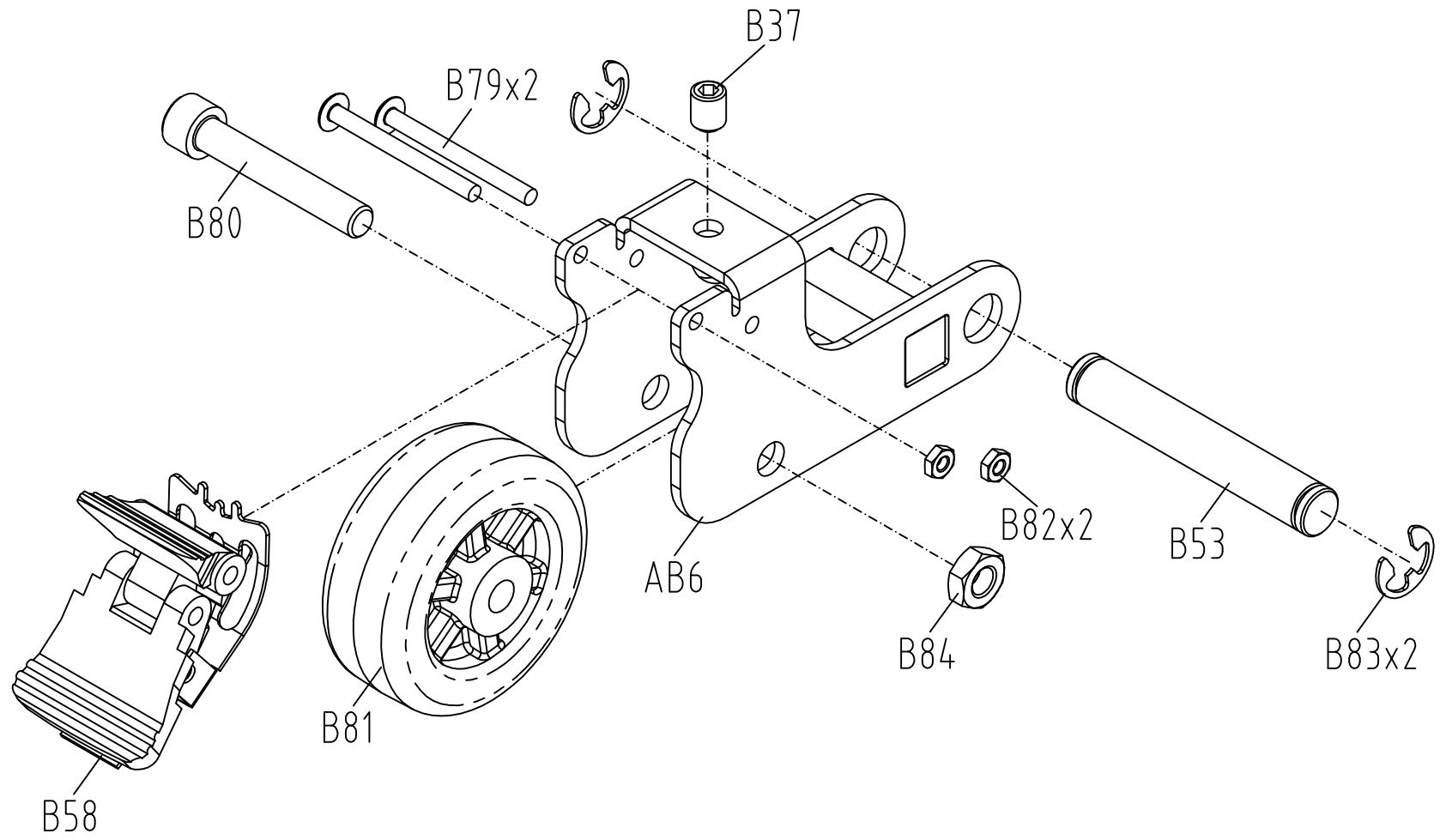


DRAWING NO	CS24-A04
PART NAME	EXPLODE DRAWING
PART NO	1000336905
APPROVE	S.T.C DATE 20140911

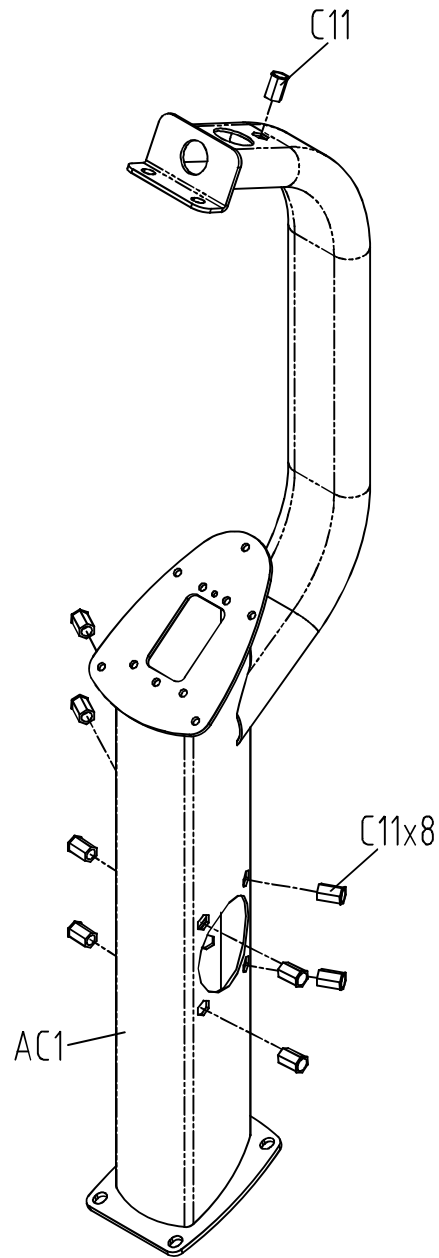
SAP NO.
MCS0172-00
MCS0192-00
MCS0193-00



DRAWING NO	CS17-AB14		
PART NAME	WHEEL SET		
PART NO	1000213059 B		
APPROVE	HERMES	DATE	20101221

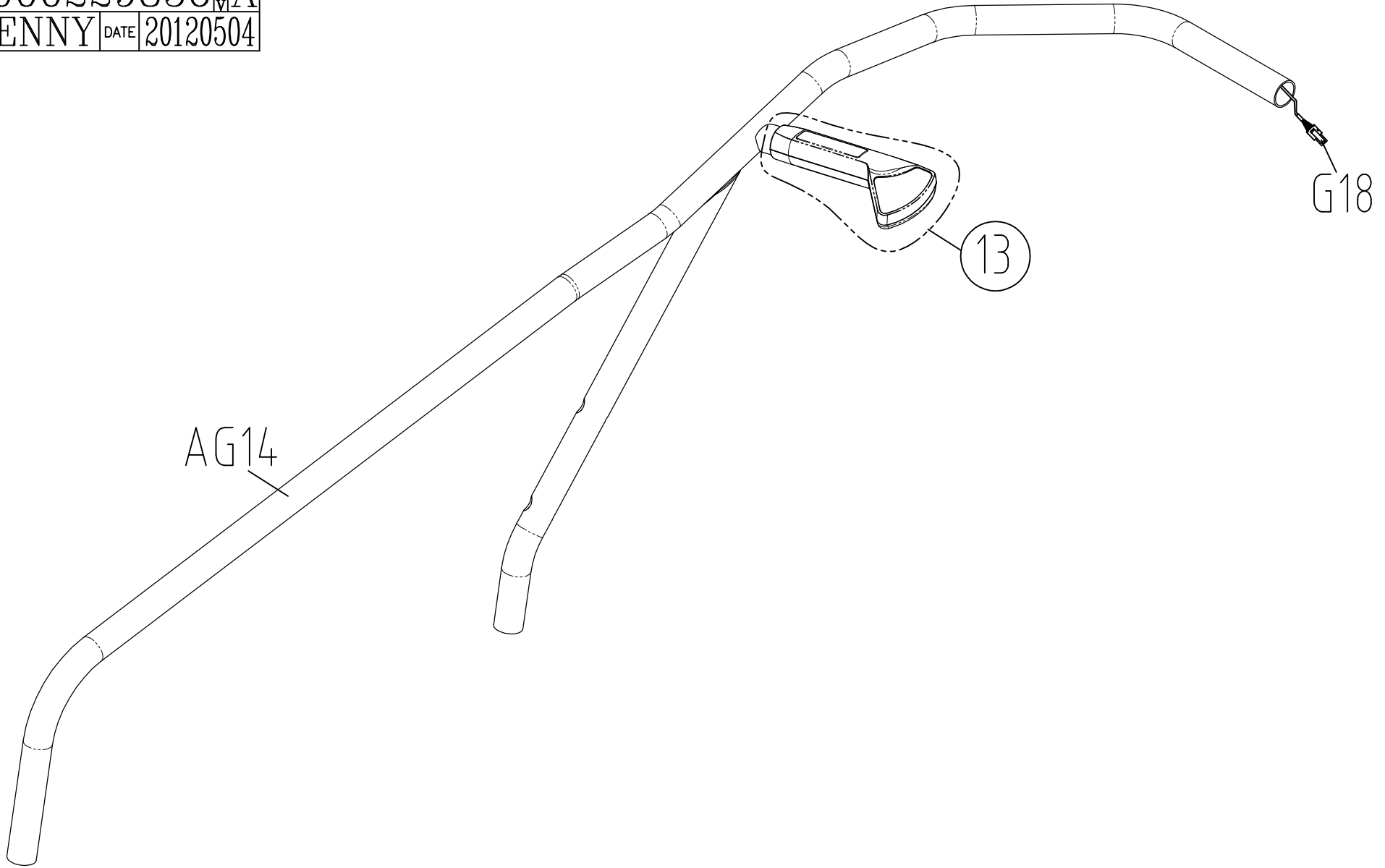


DRAWING NO	CS17-AC11		
PART NAME	CONSOLE_MAST_SET;SA		
PART NO	As attached chart		
APPROVE	EDWARD	DATE	20140617

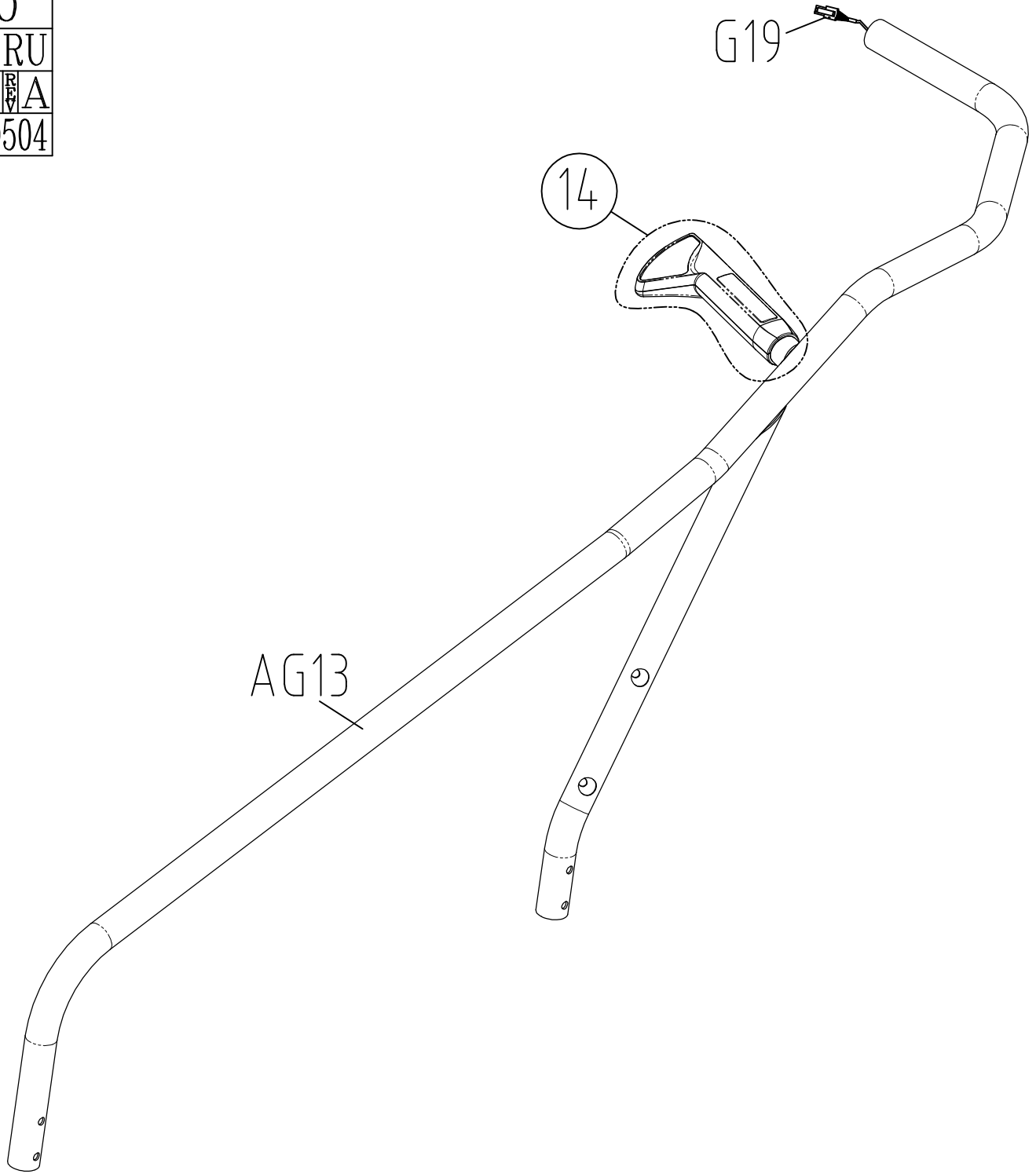


SAP No.	Description
1000209252	Matrix 銀灰色 (SLIVER)
1000336787	PF 專案 紫色 (PURPLE)
1000337810	霧黑 (BLACK MATTE)
1000348808	BLACK MATTE(Fitness park)
1000348840	BLACK MATTE(Moving express)
1000348996	BLACK MATTE(Groupe moving)

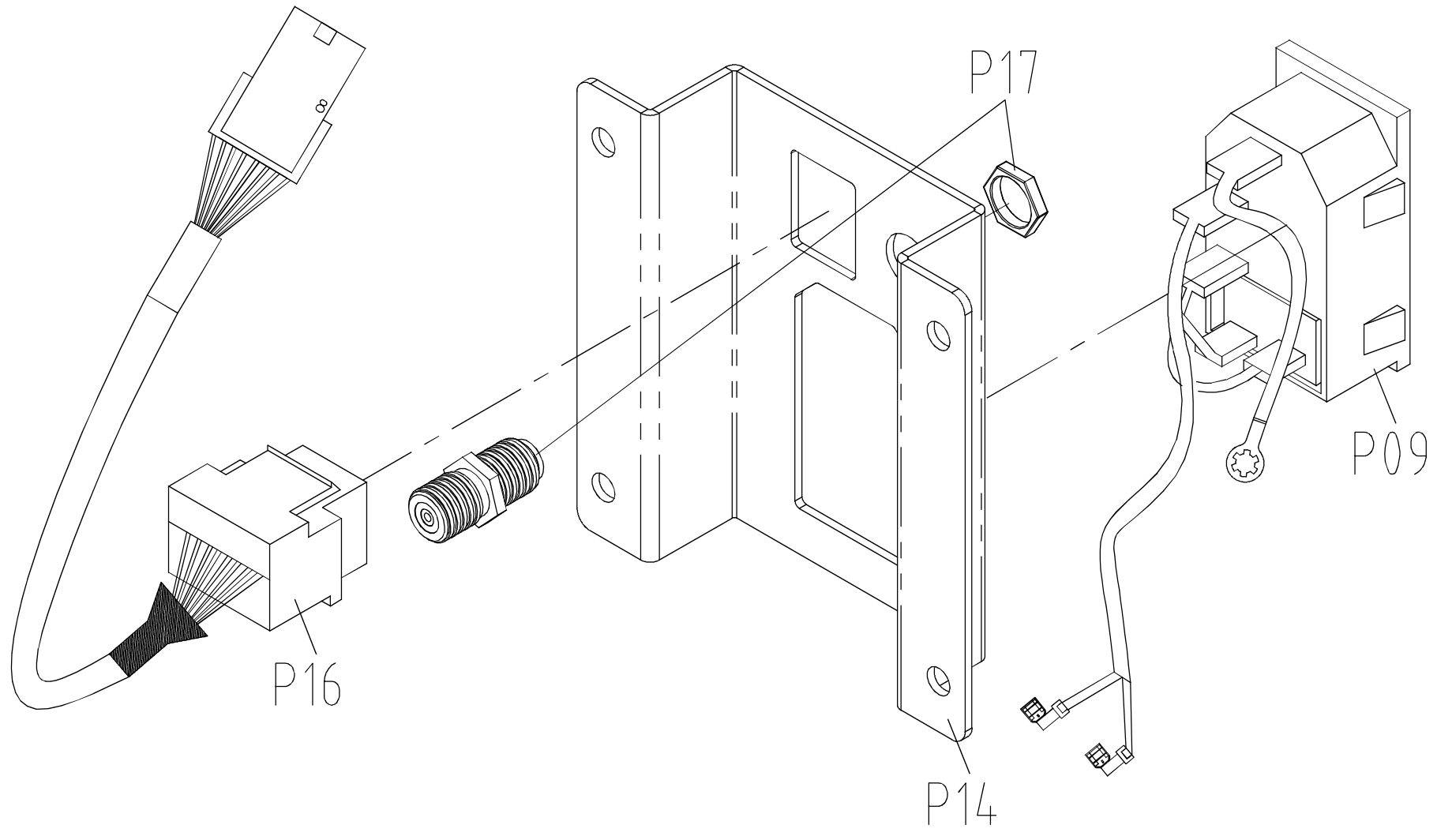
DRAWING NO	CS21-AG18		
PART NAME	ARM REST SET;LU		
PART NO	1000229856		
APPROVE	KENNY	DATE	20120504



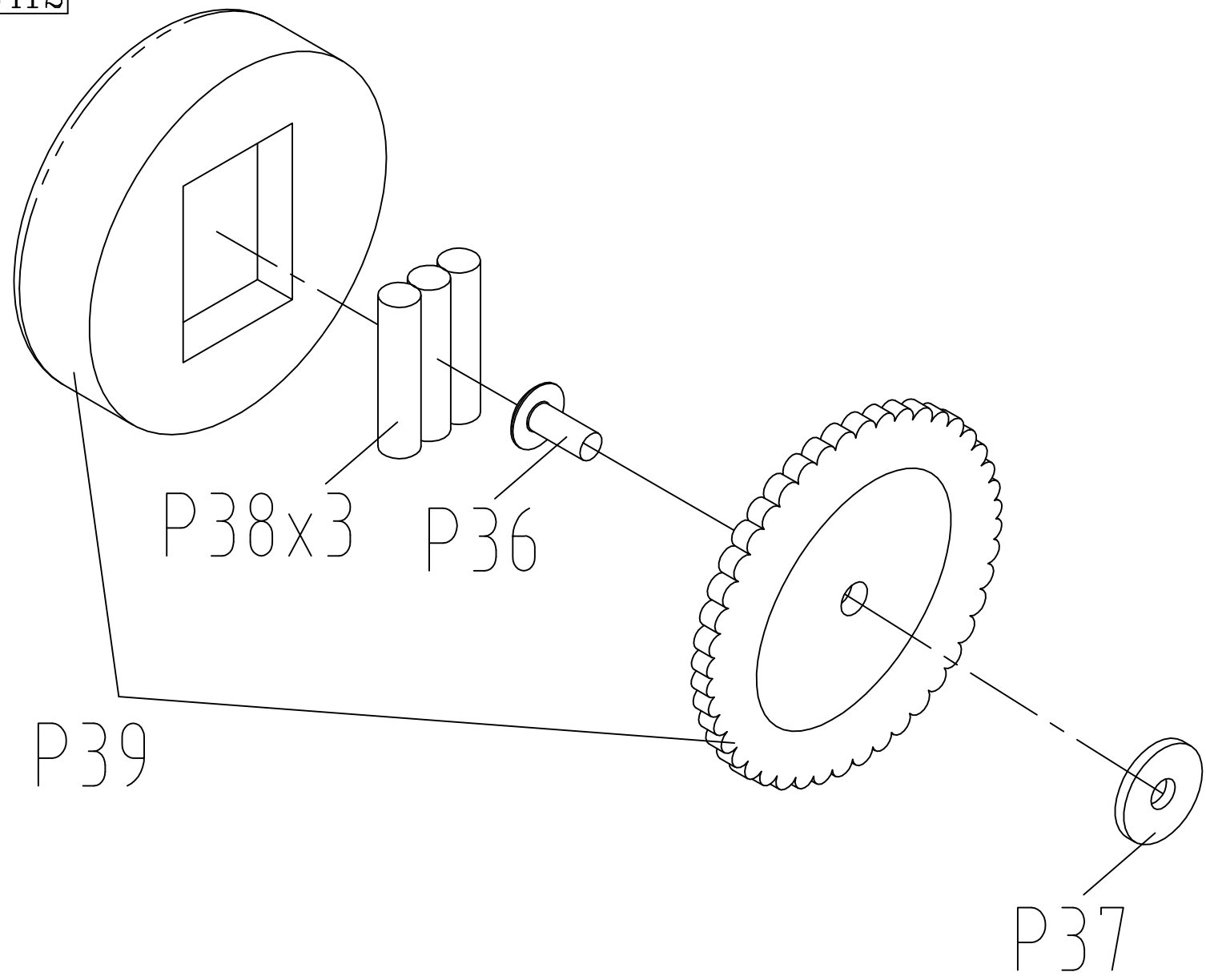
DRAWING NO	CS21-AG20		
PART NAME	ARM REST SET;RU		
PART NO	1000229941	REV	A
APPROVE	KENNY	DATE	20120504



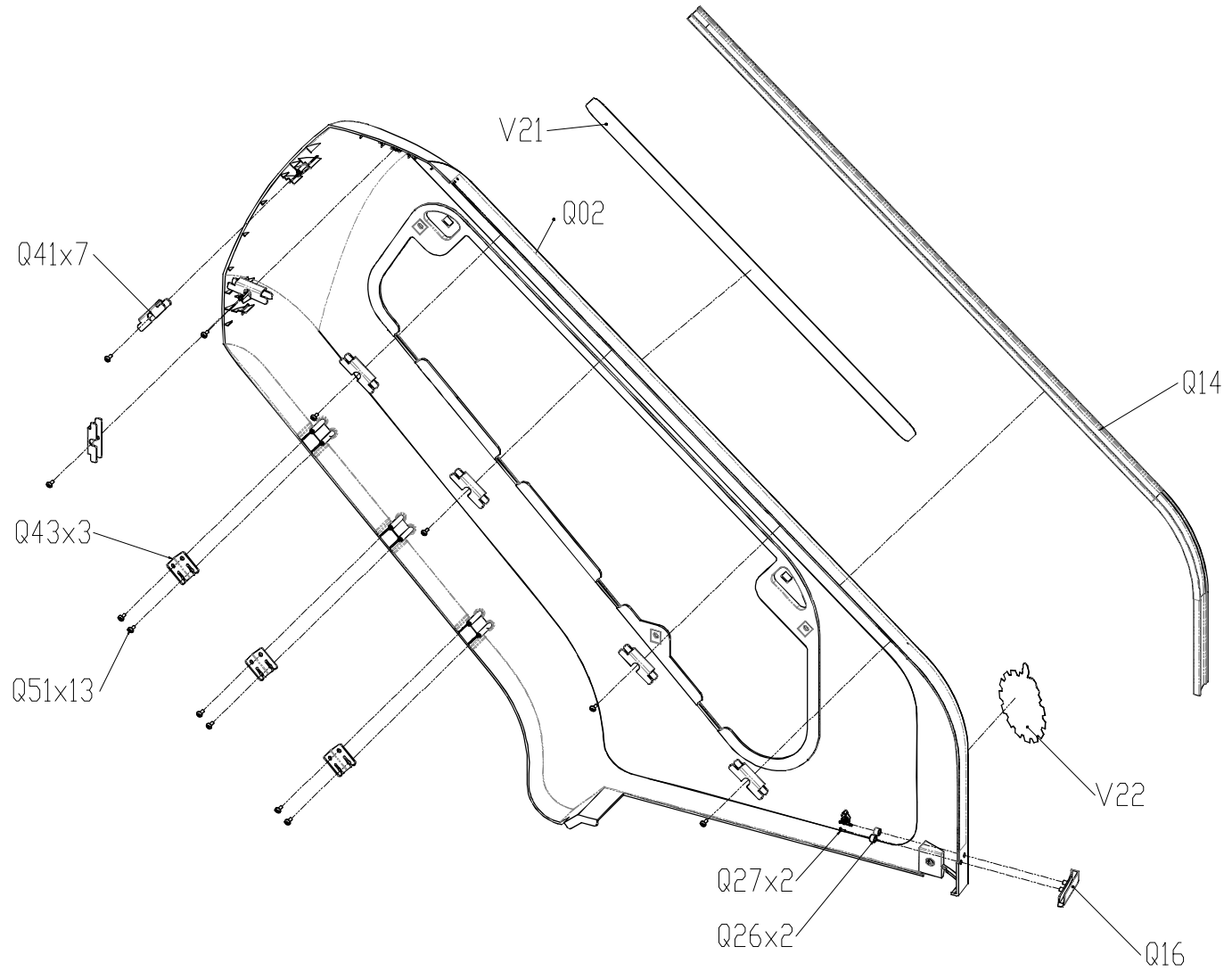
DRAWING NO	CS17-AP15		
PART NAME	E-PORT_FIX_PLATE_SET		
PART NO	1000203645		
APPROVE	Sunny	DATE	110513



DRAWING NO	CS17-AP16		
PART NAME	LED MAINTAIN LIGHT SET		
PART NO	1000213364 E		
APPROVE	GINGO	DATE	102412

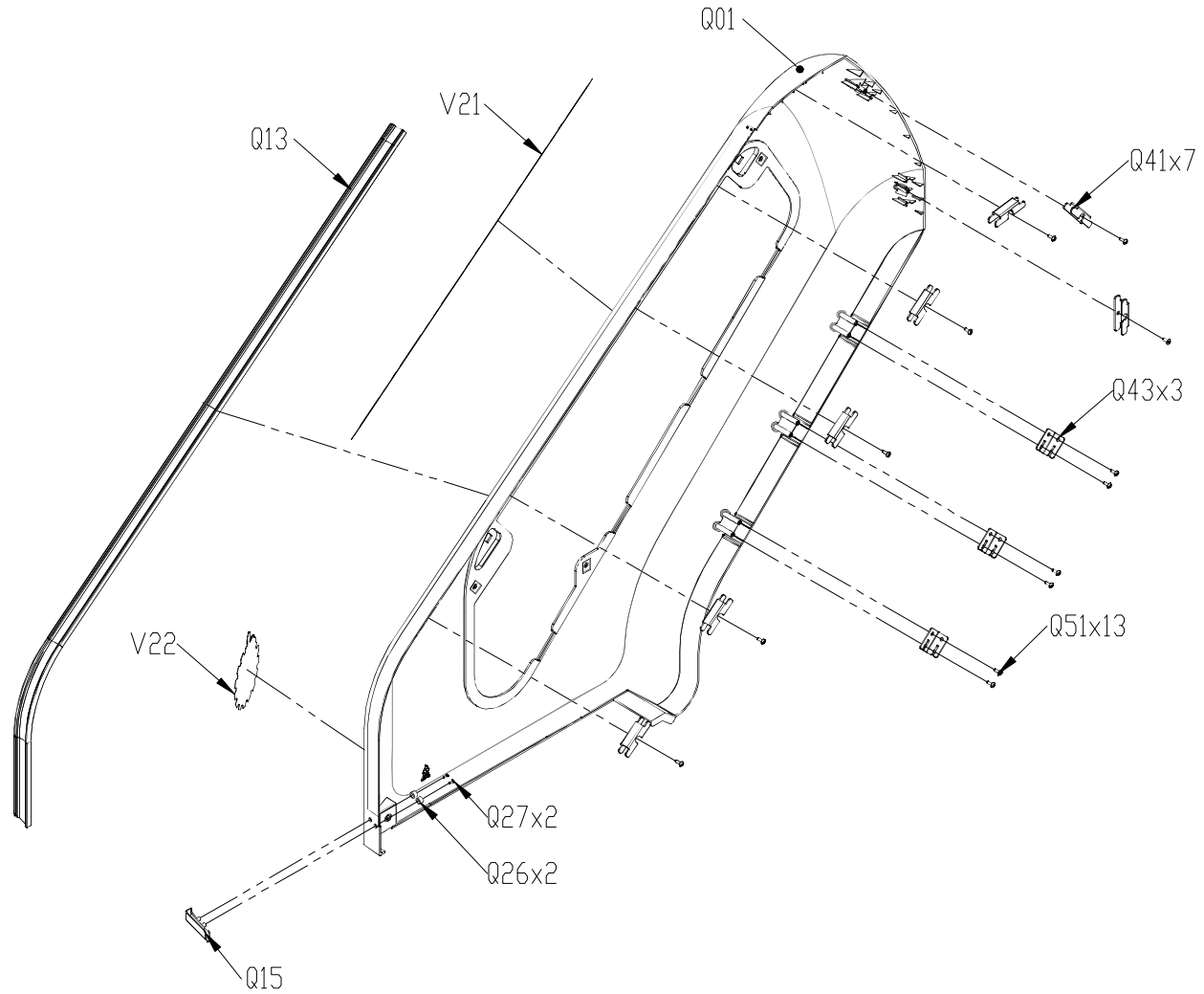


DRAWING NO	CS23B-AQ2		
PART NAME	Shield set; Right		
PART NO	1000336875 B		
APPROVE	Hunter	DATE	20140102

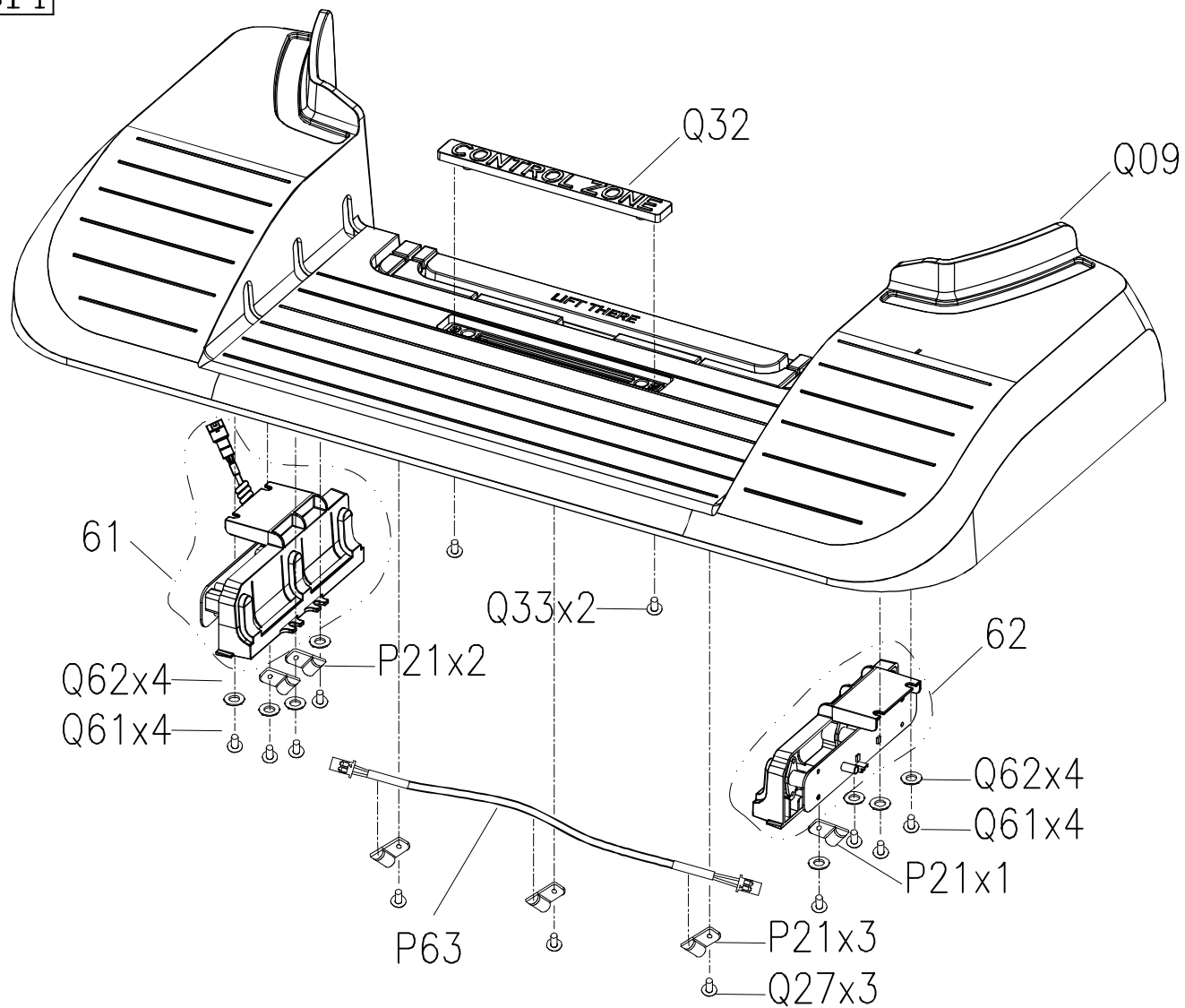




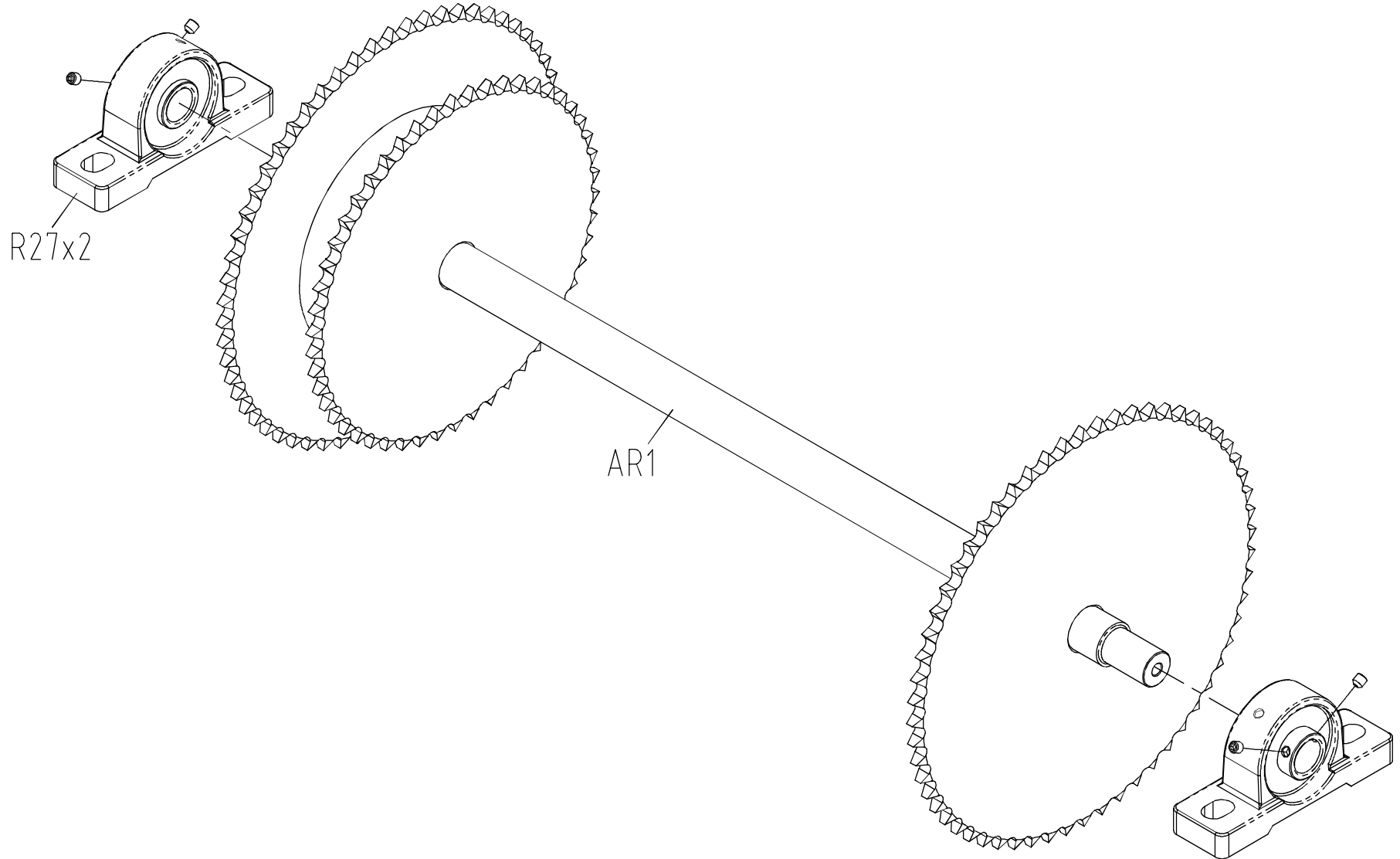
DRAWING NO	CS23B-AQ1		
PART NAME	Shield set;Left		
PART NO	1000336874	REV	B
APPROVE	Hunter	DATE	20140102



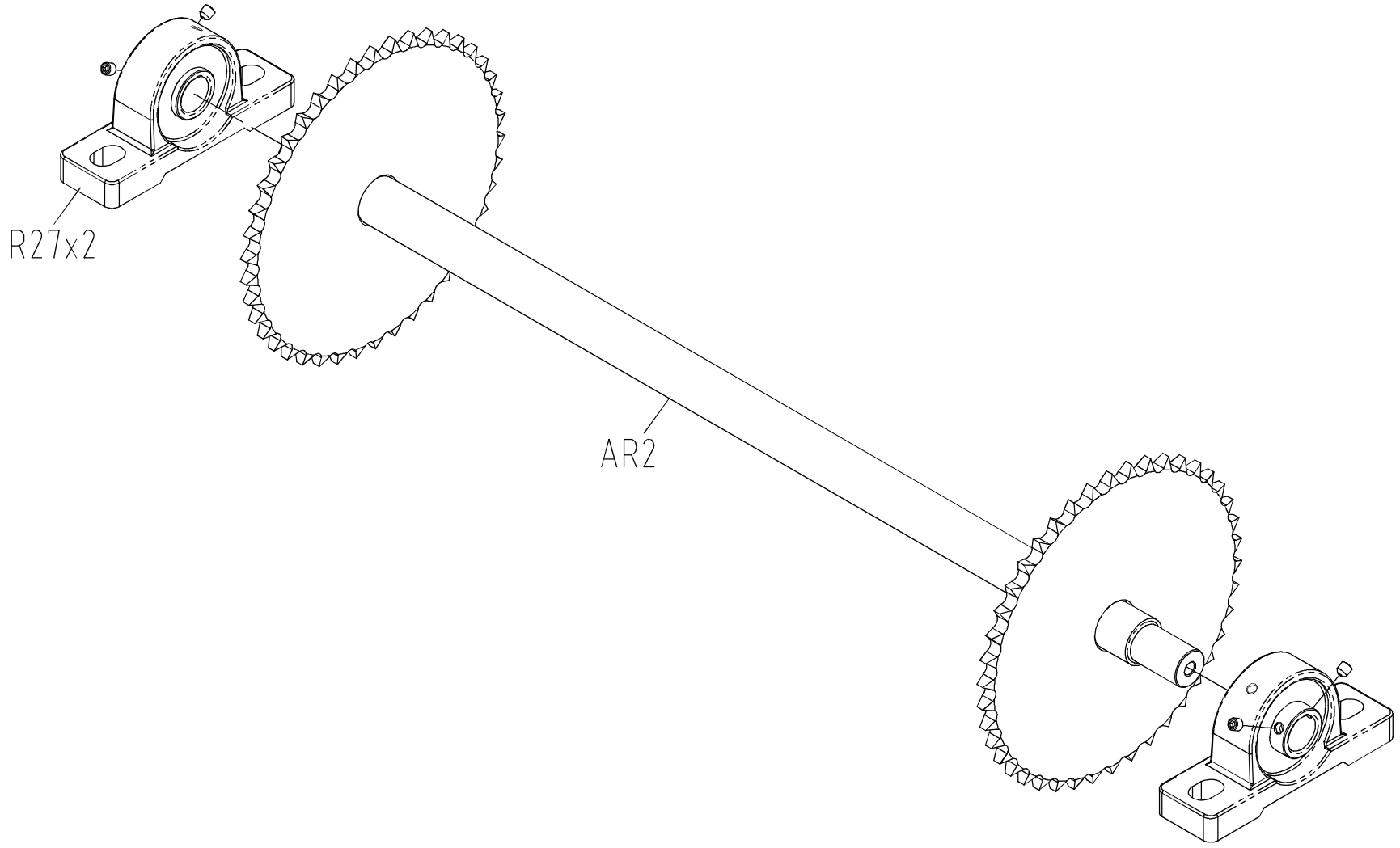
DRAWING NO	CS24-AQ3		
PART NAME	TREAD SET;;back		
PART NO	1000336928 <small>REV</small> B		
APPROVE	Gingo	DATE	031214



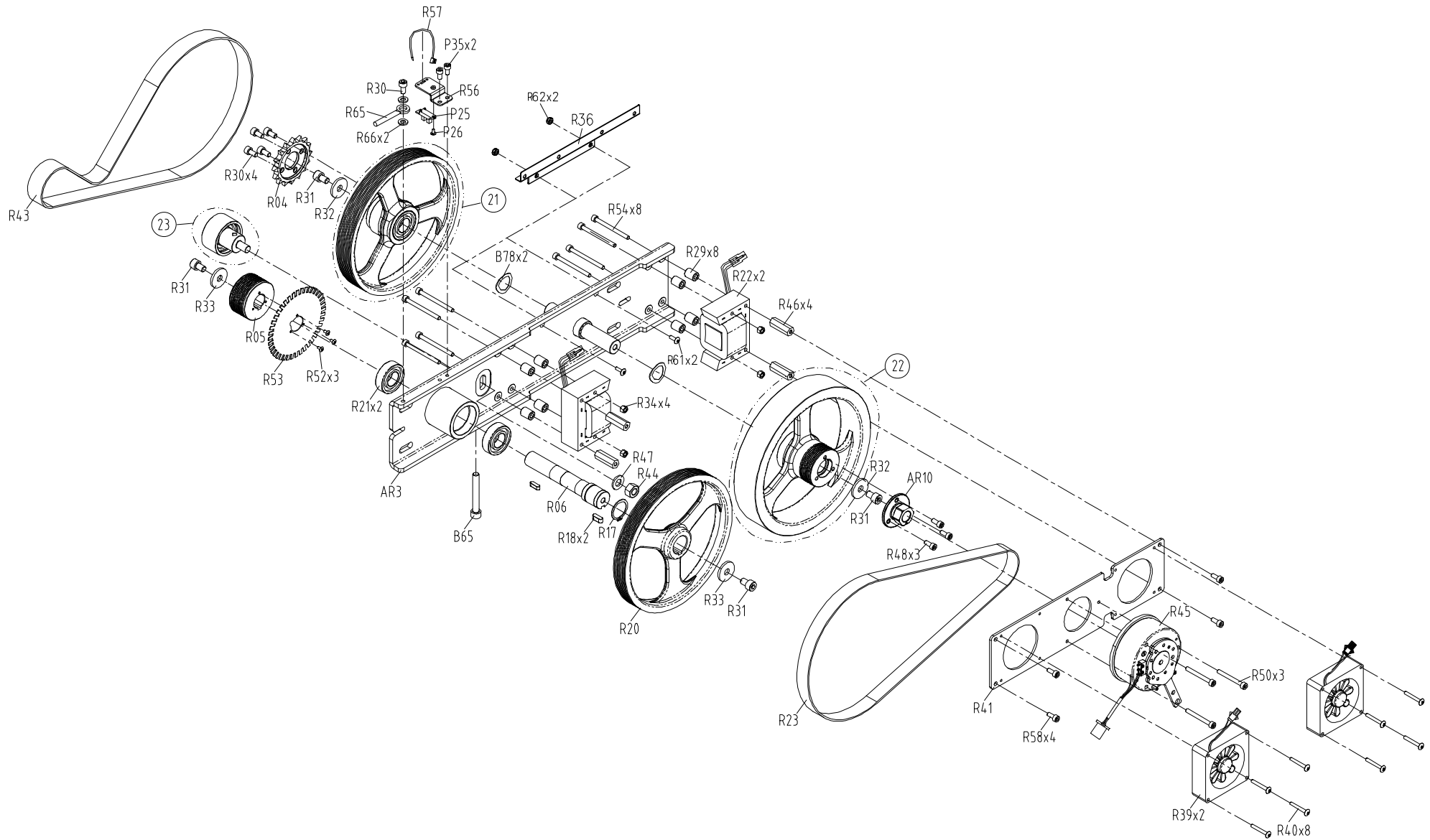
DRAWING NO	CS17-AR6		
PART NAME	SPROCKET SET:FRONT		
PART NO	1000212922		
APPROVE	S.T.C	DATE	20131231



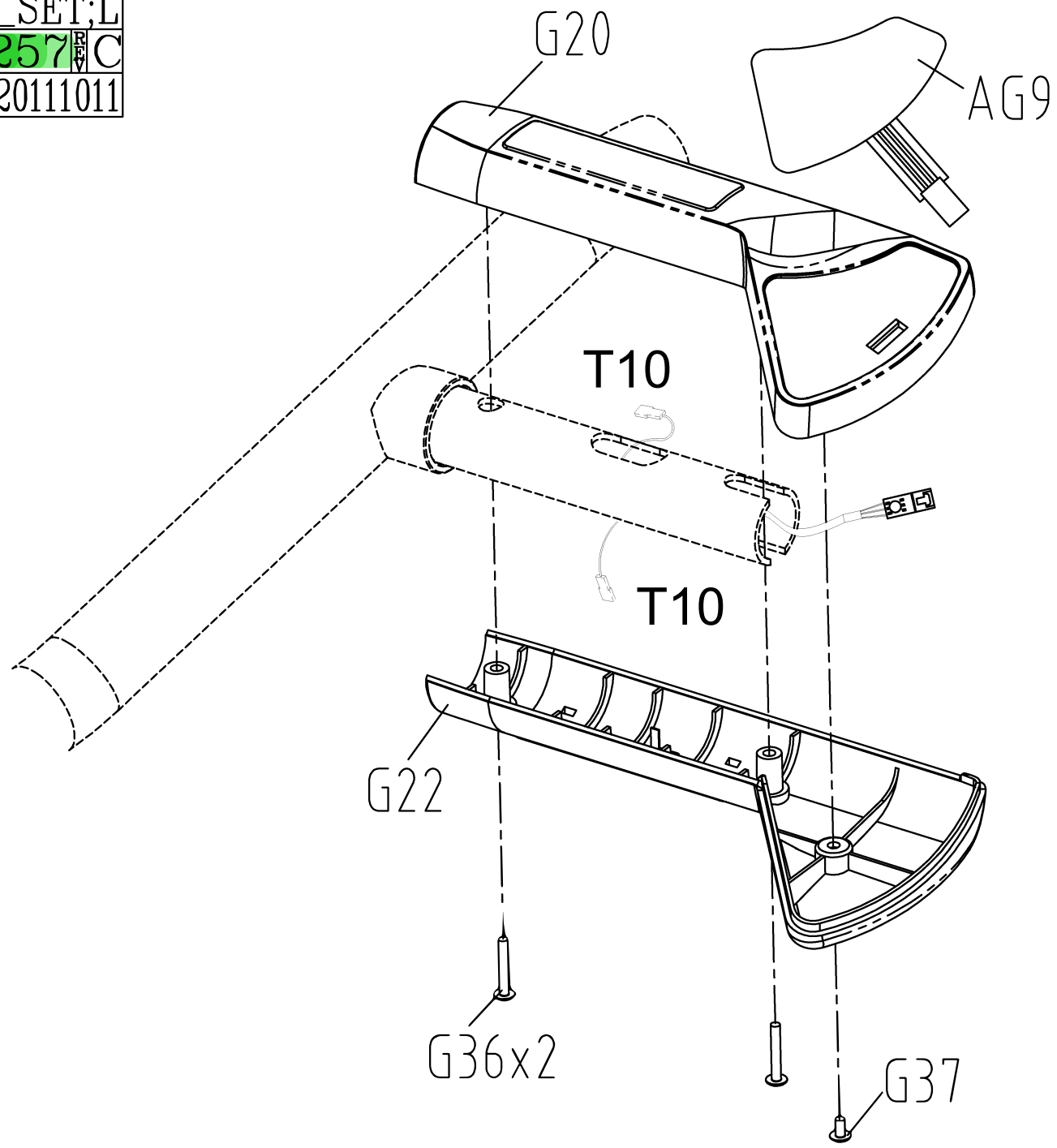
DRAWING NO	CS17-AR7		
PART NAME	SPROCKET_SET;REAR		
PART NO	1000212923		
APPROVE	S.T.C	DATE	20131231



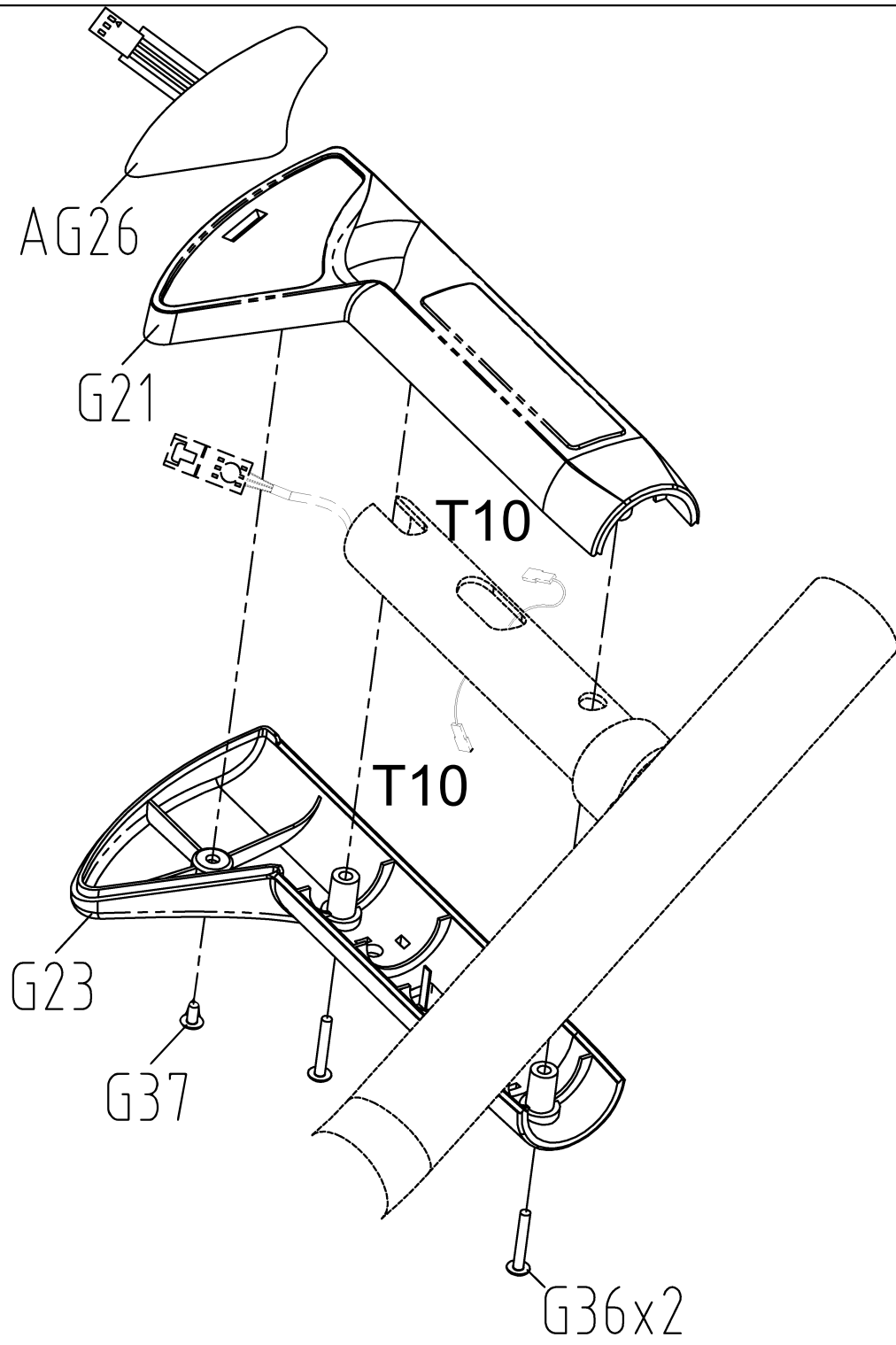
DRAWING NO	CS17-AR11
PART NAME	DRIVE SET
PART NO	1000209259
APPROVE	S.T.C DATE 20140528



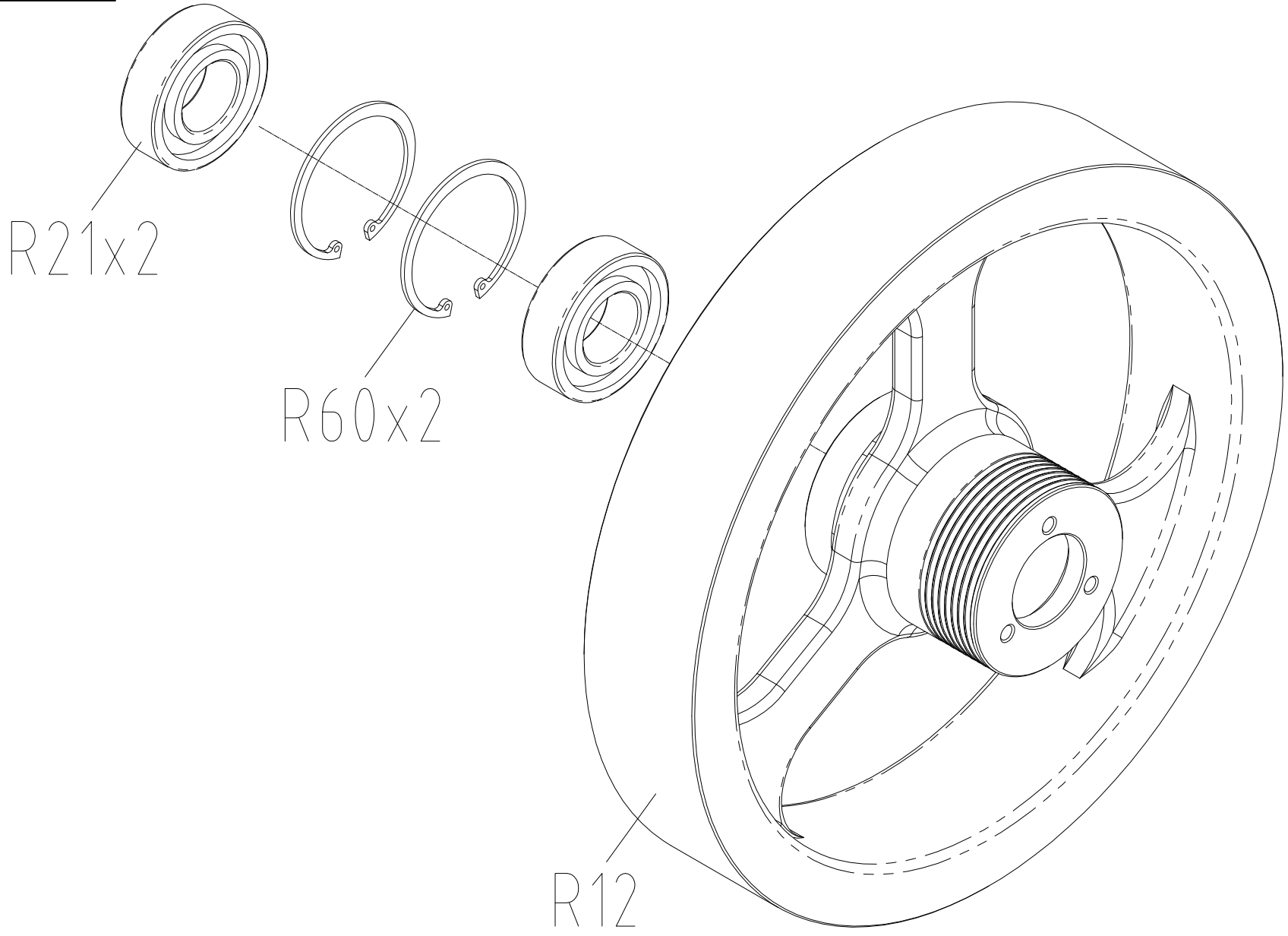
DRAWING NO	CS17-AG19		
PART NAME	HANDGRIP_SET;L		
PART NO	1000209257 <small>REV</small> C		
APPROVE	KEN	DATE	20111011



DRAWING NO	CS21-AG21		
PART NAME	HANDGRIP_SET;R		
PART NO	1000229891 A		
APPROVE	KENNY	DATE	20120504

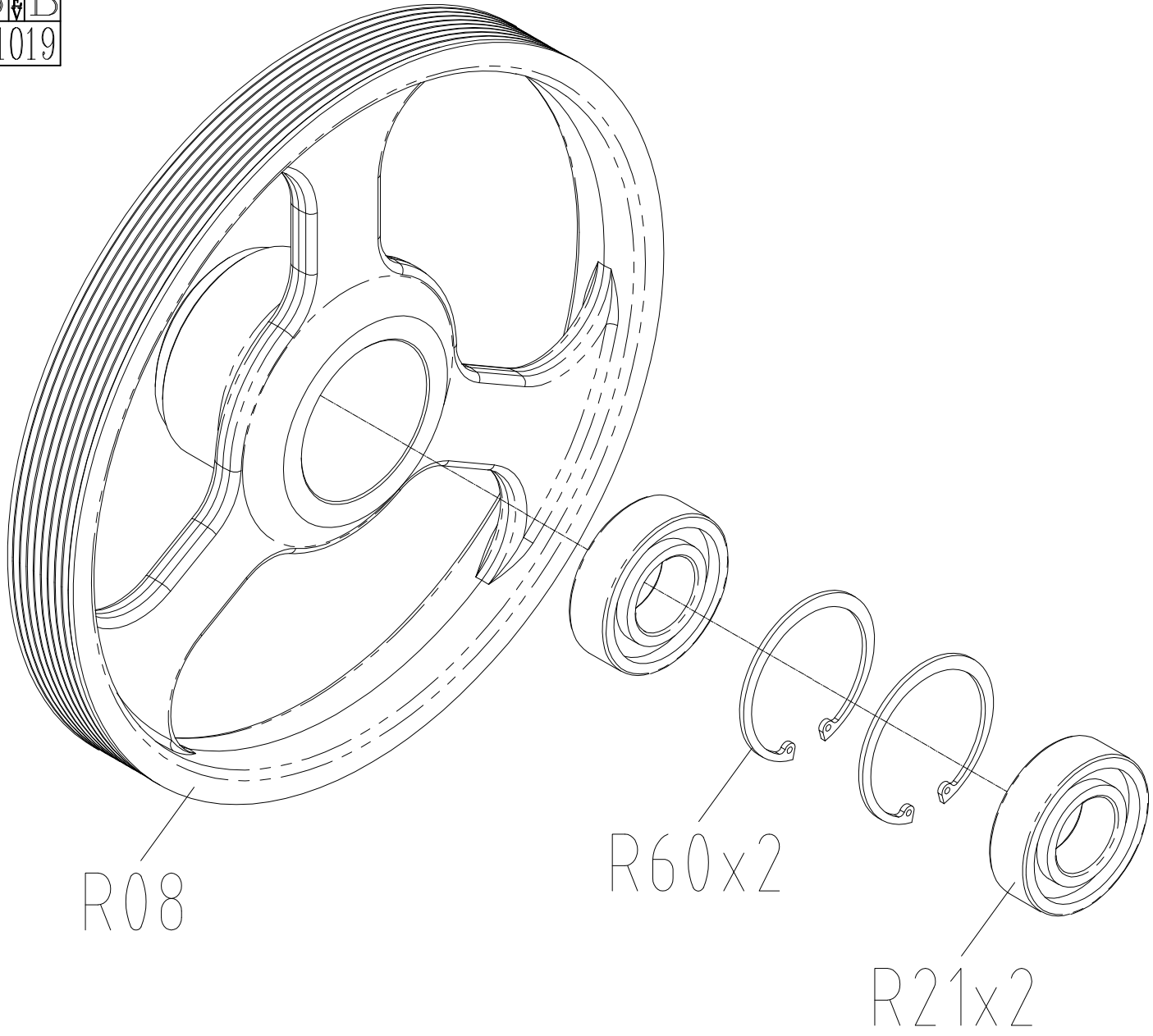



DRAWING NO	CS17-AR5		
PART NAME	FLYWHEEL SET		
PART NO	1000211384	REV	B
APPROVE	JOHNNY	DATE	20111019

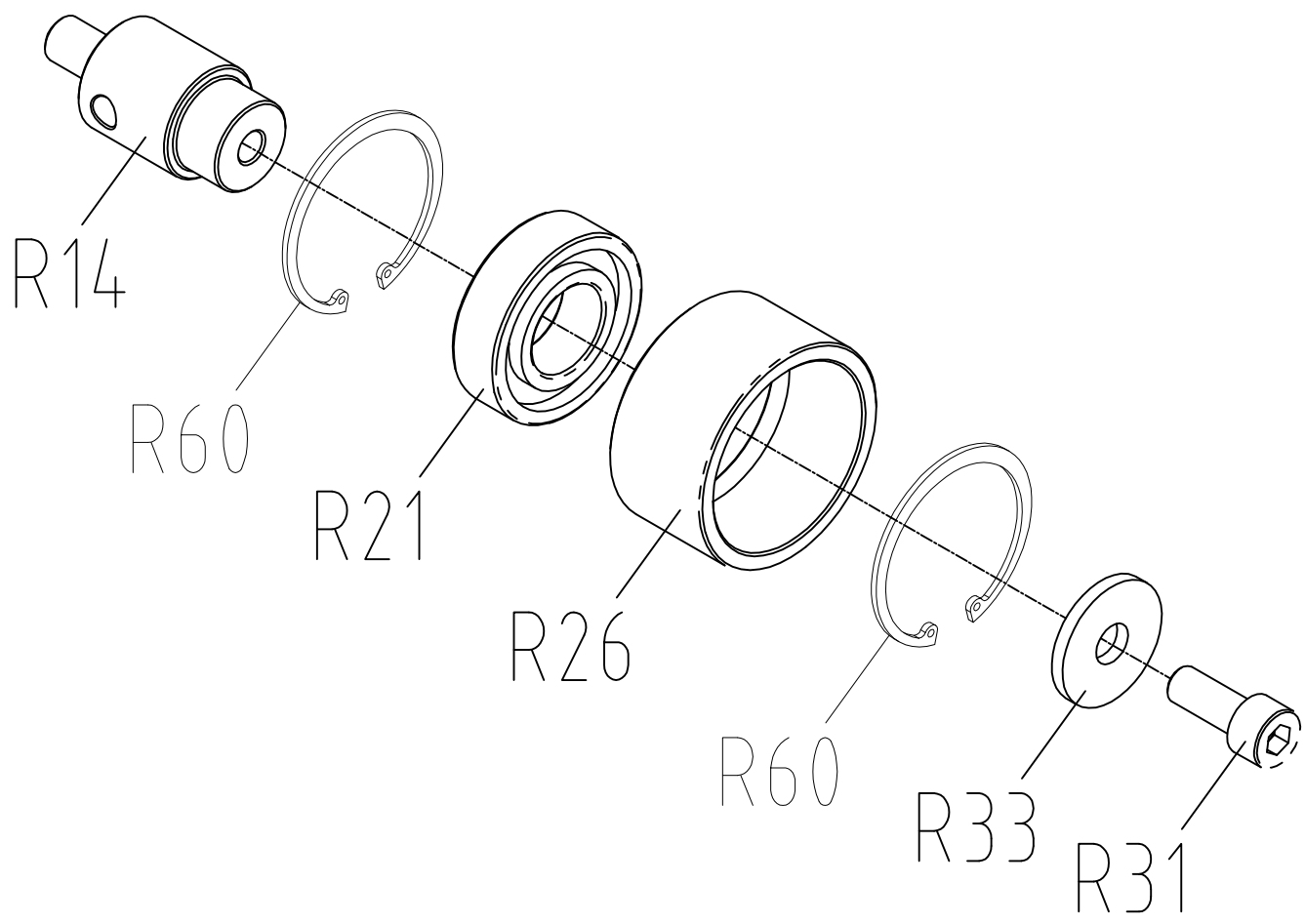




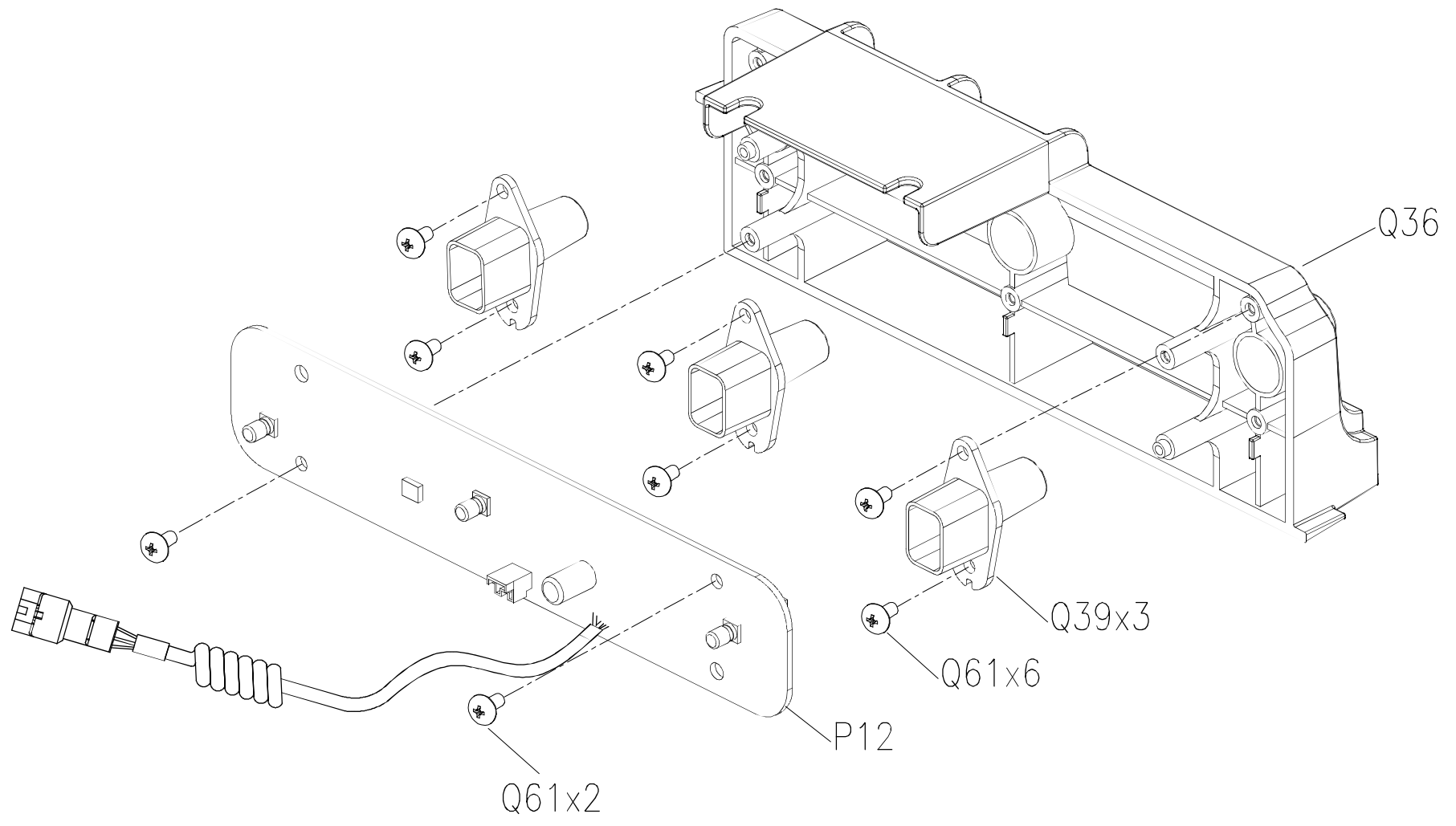
DRAWING NO	CS17-AR4		
PART NAME	PULLEY SET		
PART NO	1000212516 REV B		
APPROVE	JOHNNY	DATE	20111019



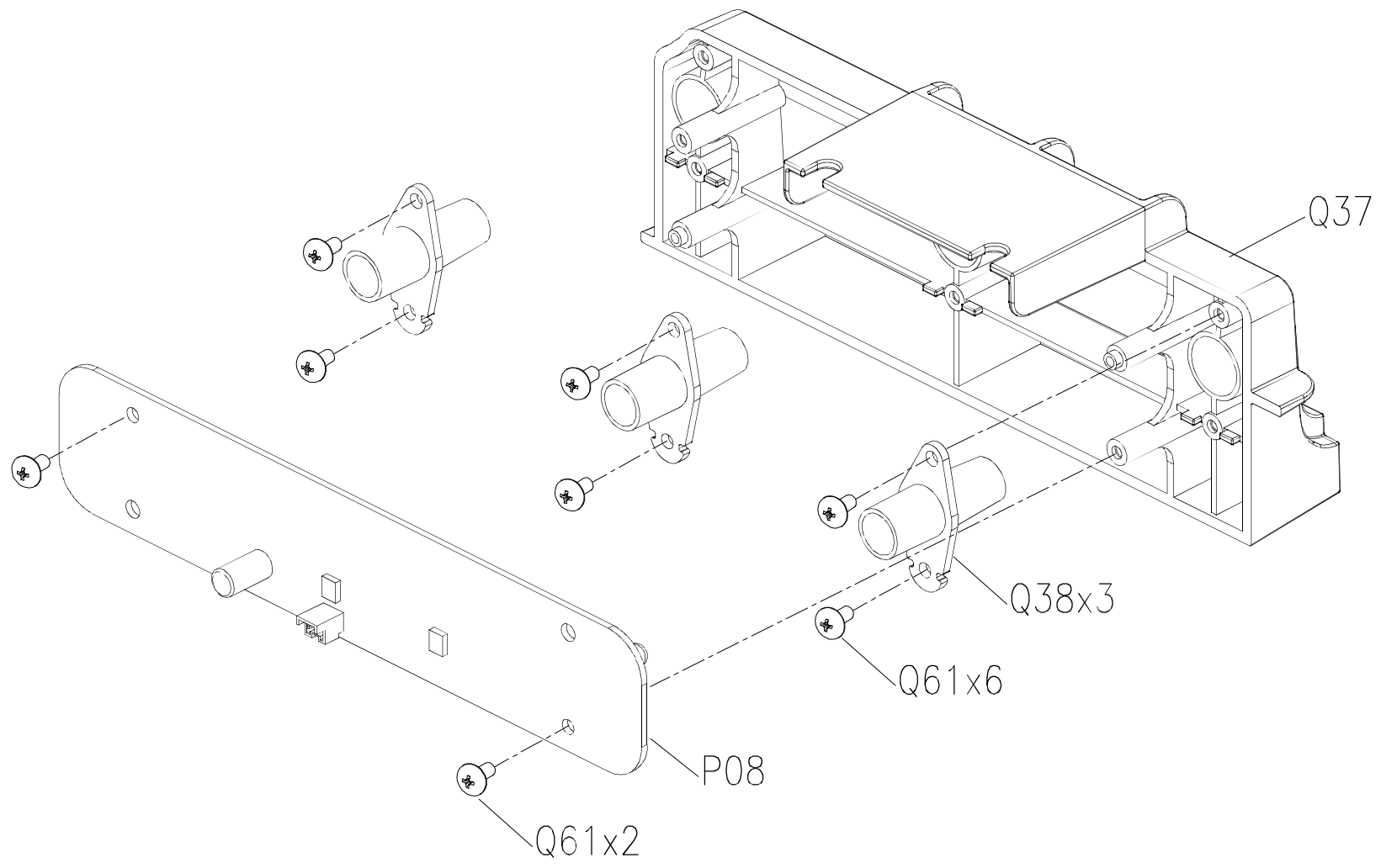
DRAWING NO	CS17-AR9		
PART NAME	IDLER_SET		
PART NO	1000217719  B		
APPROVE	JOHNNY	DATE	20111020



DRAWING NO	CS24-AQ61		
PART NAME	Connect board set;Receiver;left		
PART NO	1000337952 R/A		
APPROVE	Kyle	DATE	121913



DRAWING NO	CS24-AQ62		
PART NAME	Connect board set;Transmission:right		
PART NO	1000337953 R/A		
APPROVE	Kyle	DATE	121913



Bubble#	OEM Number	Description	Notes
01	1000213059	Transport Wheel Set SA - CS17	
02	1000209252	Console Mast Set SA CS17	
03	1000359148	Arm Rest set left up CS24	
04	1000359163	Arm Rest set right up CS24	
05	1000203645	E-Port Fix Plate Set US CS17	
06	1000213364	LED Maintenance Light Set CS17 SA	
07	1000309601	shield set left CS23	
08	1000309607	shield set right CS23	
09	1000336928	TREAD SET back CS24	
10	1000212922	SPROKET SET FRONT CS17	
11	1000212923	SPROKET SET REAR CS17	
12	1000209259	Drive Axle Set SA CS17	Order replacement X-Clips with this set, part #1000229060 (2)
13	1000359150	Hand Grip Set Quickly Key left CS24	If replacing 1000209257 (CS17-AG19), also send the right-hand grip 1000359164.
13/14	1000366087	Hand Grip Set Quickly Key Right/Left CS	
14	1000359164	Hand Grip Set Quickly Key right CS24	If replacing 1000229891 (CS21-AG21) or 1000209176 (CS21-AG21), also send the left-hand grip 1000359150.
22	1000211384	Flywheel Set CS17	See Generator warranty
23	1000217719	Idler Set Transmission CS17 -	
61	1000336933	Control Board Receive sensor H001 CS2	
62	1000336930	Control Board Transmit sensor H001 CS	
AB2	1000328463	Frame Set R painting F75 D2 DH042 Rhino	
AB3	1000328464	Frame Set L painting F75 D2 DH042 Rhino	
AG15	1000328456	Arm Rest set L painting F75 D2 DH042 Rh	
AG16	1000328462	Arm Rest set R painting F75 D2 DH042 Rh	
AG22	0000088923	Bottle Holder Set Console Mast ABS/PA746 BL	
AR10	1000380282	Connect Axle Brake SUS316 CS17	
AR2	1000212923	SPROKET SET REAR CS17	
B07	1000203797	Ring Guide Rail	
B12	1000203482	Top Guide Rail Transmission - SS41 ANTIRUST	
B22	1000203799	Bottom Guide Rail Transmission - SS41 ANTIRUST	
B37	0000090570	SCREW SET M8X1.25PX20L BZN	
B38	004550-A	Screw SH M8X1.25PX95L HS	

Bubble#	OEM Number	Description	Notes
B39	004884-00	Nut Hex M8X1.25P	
B43	004983-A	Insert Nut Hex NKHS-8125-2.5(M8x1.25P)	
B45	004984-A	Insert Nut Hex NKHS-580-2.5(M5x0.8P)	
B49	0000089835	Washer Ribbed lock 8.5x12.8x0.8tx1.3h	
B51	005066-A	Washer Flat 8.2x20.0x3.0T	
B53	1000213059	Transport Wheel Set SA - CS17	
B55	1000106666	Nut HX M8X1.25P SS41 BAN	
B56	1000351694	Spacer Rail A	
B58	1000108690	Wheel Lock	
B61	1000203804	Safety plate right CS17	
B62	1000203803	Safety plate left CS17	
B63	0000085362	Screw SH M8X1.25PX20L HS BAN	
B65	020101-00	Screw Hex Socket Round M8x1.25Px55L Black Zinc	
B69	0000093369	Screw SH M8x1.0Px35L HS BZN	
B71	0000095100	Cap Stabilizer Right-Front ABS/PA757 P80	
B72	1000304478	Screw Button Head M5x0.8Px12L - Phillip	This screw attaches to a clip - see Q24 on the diagram/parts list.
B73	0000094929	Cap Stabilizer Left-Front ABS/PA757 P804	
B75	000041-AA	Transport Wheel	
B76	020069-00	Screw SH M8X1.25PX12L HS BP G12.9	
B77	005042-00	Washer Flat 8.2X30.0X2.0T Black Zinc	
B78	005220-00	Washer Wavy 20.7x29.1x.3T	
B79	0000080808	Screw BH M4X0.7PX45L PH BZN	
B80	0000092811	Screw Round Hex Socket M8X1.25PX50L(Yrw29	
B81	103403	Rear Carriage Roller Nylon+30%G TM369	
B82	066570-00	Nut NLK M4X0.7P BZN	
B83	005376-00	Clamp E-Shaped Ring E-9	
B84	1000106666	Nut HX M8X1.25P SS41 BAN	
B85	005145-A	Washer Flat 8.2x19.0x2.0T Black Zinc	
B86	004844-00	Set Screw M6X1.0PX16.0L	
B87	1000100780	Screw Hex Socket BH M6x1.0Px16L Cr Plate	
B88	004933-00	Nut Nylon 1/4'-20UNC BED	
B89	005102-00	Washer Flat 1/4x15.0x1.0T Black Zinc	
B90	1000226844	Rubber Pad PIB NBR(BL) CS17	

Bubble#	OEM Number	Description	Notes
B91	004385-00	Screw BH M5X0.8PX12L PH BAN	
C07	1000211930	Ornament TV-MOUNT PAINTING MATRIX/SL/	
C11	004983-A	Insert Nut Hex NKHS-8125-2.5(M8x1.25P)	
C12	1000211361	Connect BLOCK HANDRail - PAINTING - MATR	
C20	1000203749	Plastic Sleeve Console MAST PVC 80393	
E04	1000203697	Axle, Central S45C CHM PEDAL Short	
E05	1000229018	Axle, Central SCM440 CHM PEDAL Long	
E06	1000352533	Space Ring Pedal POM BL/Black C CS23	
E07	004071-00	Bearing Ball 608ZZ TPI	
E08	005373-00	Clamp E-Shaped E-6	
E09	1000108777	Washer Flat M8.2x16Px1.0T	
E10	1000229060	Snap Ring X STYLE CS17	
E20	1000203754	Pedal Step Lower	Send 2 of E08 for each pedal step ordered.
E21	1000203753	Pedal Step Upper	Send 2 of E08 for each pedal step ordered.
G10	1000229894	Connect Plate,Kettle Rack,ABS 746,BL/Bla	
G18	1000207236	Wire HR Sensor Left 950(TKP H6630R1-06+TKP	
G19	1000212335	Wire HR Sensor Right 950(TKP H6630R1-06 TK	
G31	1000359159	Overlay Quick Key Left CS24 (Overlay ONLY NO membrane)	
G32	1000359165	Overlay Quick Key Right CS24 (Overlay ONLY NO membrane)	
G36	0000082875	Screw BH M3X0.5PX20L PH BZN	
G37	004350-00	Screw Phillip BH M3x0.5Px6L	
Not Shown	0000094424	POWER CORD SET POWER CORD+Warning Sticke	
Not Shown	1000336920	Connect Board I/O DC H002 CS24	This daughter board attaches to the LCB (P02). Important: only send this board as a replacement part if you have confirmed that the LCB software is version S007 or higher.
Not Shown	1000313163	Hardware Set S-BOM CS23	
Not Shown	0000094425	Power Cord Set 3000 18AWG	
Not Shown	004350-00	Screw Phillip BH M3x0.5Px6L	This screw is used to attach the daughter board (not shown) to the LCB (P02).
Not Shown	0000086204	Power Cord Non NEMA 15 feet 90 DEGREE	
P01	1000201167	Console Cable Communication Wire 2000(MOLEX,50- 70-9408x	

Bubble#	OEM Number	Description	Notes
P02	1000336916	Controller Set Sensor ECB/H001 IO/H002 -----&gt; **EFFECTIVE 6/25/20: RETURN to CG for REFURB**	Updated LCB includes the daughter board. **If installing on a frame that does NOT have frame IR sensors, remove the daughter board.**
P04	1000206794	Wire ECB LOAD 1650(JST,VHR-4N+TKP HL20P-	
P05	0000080701	Cable Clamp KSS UC-04	
P06	063002-A	TV Cable Wire Down 1750L (FM-0086-NBG7)x	
P08	1000336930	Control Board Transmit sensor H001 CS	
P09	1000203645	E-Port Fix Plate Set US CS17	
P10	1000207951	Fixing Plate Fan LCB SPHC WZN CS17	
P12	1000336933	Control Board Receive sensor H001 CS2	
P13	1000209863	Speed Feedback Set Extended Wire 1350L(JST	
P16	1000203645	E-Port Fix Plate Set US CS17	
P17	065248-A	TV Coax Adaptor Female F-A028-NBX7-C	
P18	1000203648	Wire SENSOR CON 1250(JST PAP-03V-S+HL 3T	
P19	1000210490	Power Extend Wire DC BRAKE,COOLING	
P21	040774-A	Fixed Knob KSS UC-0 CB110 CB110-N1	
P22	069859	Filter Board	
P24	1000209865	Power Wire 190L (KST FDFNYD1-250-1)x4 CS	
P25	1000402662	Photo Interrupter Set CS29	
P26	004319-00	Screw Phillip Round M3x0.5Px6L	
P27	1000207235	Wire PULSE CON OTHER BLACK 750L TKP H66 Ground Wire Console Pulse Extended 220(5.0 OT+KST	
P28	0000086264	M	
P29	004627-00	Screw Phillip BH Tapped 5x12L	
P30	0000093219	Jacket PVC A5X-03-F US EP79	
P31	1000210491	Wire Proximity Sensor Set OTHER BLACK OT	
P33	0000082875	Screw BH M3X0.5PX20L PH BZN	
P34	0000093508	GND Wire Filter 200(KST FLDNY2-250Kz+GE	
P35	004448-00	SCREW SH M5X0.8PX10L HS BZN G12.9	
P38	1000211919	Battery AAA 1.5V ALKALINE #4	
P39	1000215997	LED MAINTAIN LIGHT PROCESS Diam.5.2x3mm	
P40	004447-AC	SCREW SH M5X0.8PX12L CT HS BAN	
P43	0000083692	Washer TOOTH M5.3X10X0.6 Nickel	
P44	086310	Screw BH M5X0.8PX75L CT PH NKL	



Bubble#	OEM Number	Description	Notes
P45	004889-00	Nut Hex M5x0.8P Nickel	
P46	069904	Ferrite Cord FH0650B CB32-P16A	
P47	0000089111	Tape Dual Sided 20x30x3t TM501	
P48	1000228040	TV Power 1700 (SCD-554DCS103BB1G+TKP H66	
P49	0000082734	Washer Senated M5.3X10X0.6 Zinc Plate	
P51	1000303525	Sensor Set 1350L(KFPS,XE-SP50NE1T	
P51	1000472367	Sensor Wire Set with fixed plate CS34	See bulletin "Frame IR Sensor Change".
P52	1000309599	Fixing Plate Sensor Zinc Plate 1.5T CS	
P53	004334-00	ROUND PHILLIP SCREW M3X12L	
P54	004860-00	Screw Phillip Large Oval Head M4X0.7PX8L	
P56	0000094431	Fan Cooling FD128025LB DC 12V/0.1A T7000	
P63	1000336915	Power 660L (TKP,H20J2-02) CS24	
Q05	1000309615	Cover Frame up ABS/PA756S Gray/80435 CS	
Q06	1000309616	Decorate Cover front ABS/PA756S Gray/80	
Q07	1000309617	Cover front ABS/PA756S Gray/80435 CS23	
Q08	1000350050	Cover Plate PP BL/Black C CS24	
Q09	1000203748	Pedal back PP-3015 P426C CS17	
Q10	1000301732	shield set ASH TRAY - C-5X/7X-01-F -	
Q11	1000309660	Fixing Plate TRANSMISSION painting Fla	
Q12	1000448890	Cover ABS/PA756S Gray/80435 ABS/PA746H	New design - cover now shows the word "Climbmill" (see photo). The original cover is no longer available.
Q13	1000211386	Side Rail L CS17	
Q14	1000209821	Side Rail R CS17	
Q15	1000211387	Fairing L ABS CS17 Dark Gray80435	
Q16	1000211388	Fairing R ABS - CS17 Dark Gray80435	
Q18	1000309619	Cover Plate right ABS BL CS23	
Q20	1000309609	Repair Cover-Extrawork left Print CS23	
Q21	1000309612	Repair Cover-Extrawork right Print CS2	
Q23	1000203821	Pin CS17 SR-07C-N2B BL PINGOOD CS17	
Q24	038449-A	Clip Tapped Hole FE M5 YZN	
Q25	1000203752	Pin Set	
Q26	1000203758	Nylon Washer U-7 White PINGOOD CS17	
Q27	040816-A	Screw Phillip BH Tapped 3x8L	
Q32	1000216903	Control Zone Decal	

Bubble#	OEM Number	Description	Notes
Q33	0000095641	SCREW RND #X4.0X1.34PX8L(HI-LO) PH BZN	
Q36	1000336925	Connect Board left ABS PA-758 Limpid Bl	
Q37	1000336926	Connect Board right ABS PA-758 Limpid B	
Q38	1000336923	Bousing Transmission ABS/PA757 BL/Black	
Q41	1000309603	Fixing Bracket U Shape POM+GF BL/Black	
Q43	1000309606	Fixing Plate LOW ROW painting Black4 C	
Q51	1000231078	SCREW BH ?X5X1.6PX12L(HI-LO) PH BZN	
Q52	004359-00	Screw Phillip BH M4x0.7Px10L Gap	
Q61	008865-B	Screw Special Round 2.9x1.06Px12L(Hi-Lo	
Q62	005094-00	Washer Flat 3.2x8.0x1.0T Black Zinc	
R04	1000203521	Sprocket Transmission - 16T	
R05	1000203526	Pulley Poly-V ANTIRUST OIL SS41J1055 RO	
R06	1000203693	Axle,TRANSMISSION S45C NKL Transmission	
R15	020478-00	Washer Flat 10.2x20.0x2.0T Black Zinc	
R17	005366-00	C-Clip External S-25	
R20	0000089637	Pulley Poly-V FC25 J8198 S70	
R21	004077-A2	Ball Bearing 6004ZZ 20X42X12T SKF	
R22	1000217419	Electro Magnet 20VDC/1.2A CS17	
R23	1000218699	Belt Poly-V FLEXONIC BELT 948J8	
R24	1000221250	Sealed Chain Transmission 40-82L 1 C/L	
R25	1000203688	Sealed Chain Transmission 40-24L/K(P25.	
R27	1000212923	SPROKET SET REAR CS17	
R29	067629-00	Inner axis ferrule 12.0 12x5.5x15.75L	
R30	004465-00	Screw Hex Socket Round M6x1.0Px12L Zn-B	
R31	004475-00	SCREW SH M8X1.25PX15L HS BZN	
R32	005045-00	Washer Flat 8.2x22x3.0T	
R33	005042-00	Washer Flat 8.2X30.0X2.0T Black Zinc	
R34	004882-00	Nut Hex M5X0.8P	
R35	1000230607	SCREW SH M10X1.5PX35L HS BZN	
R37	005010-00	Washer Spring 10.75x17.2x2.16t	
R39	1000206793	Fan DC FAN 12V 0.1A FAAN	
R40	035695-AB	Screw BH M4X0.7PX30L PH BAN	
R41	1000203934	Bracket Actuator - SPHC BED CS17	
R43	1000217580	Belt Poly-V FIBERGLASS 390PJ10-FG	

Bubble#	OEM Number	Description	Notes
R44	0000086127	Nut HEX M10X1.5P 10	
R45	1000354903	Brake Set CS17	
R46	1000209818	Ring SS41 WZN -	
R47	020478-00	Washer Flat 10.2x20.0x2.0T Black Zinc	
R48	1000226890	SCREW SH M5X0.8PX8L MT HS G12.9 BZN	
R50	020060-00	Screw SH M5X0.8PX45L-20L HS P-T	
R52	003722-00	Screw BH M3X0.5PX6L PH WZN ROHS SP	
R53	003625-00	Optical Disc 105x22	
R54	1000207952	Screw SH M5X0.8PX60L(TREAD 23L) MT HS G1	
R56	1000215689	Bracket Sensor Transmission Set SPCC WZN	
R57	005811-00	Cable Tie Nylon Black 160L	
R58	004458-00	Screw Hex Socket Round M5x0.8Px12L BED	
R60	005354-00	C-Clip Internal R-42	
R61	004369-AD	Screw BH M5X0.8PX15L PH BZN	
R62	004924-00	Nut Nylon M5x0.8P Black Zinc	
R65	004677-00	Bolt Eye Hook 1/4-20UNCX50L(25L) ZN-BL	
R66	005155-A	Washer Flat 6.2x12.0x2.0T Black Zinc	
T10	1000383493	Terminal 100 JMT,J1730BS-2(With a plasti	Part is 1 bag, qty 20.
V11	1000222542	Warning Label OPERATE COATED CS17	
V12	1000222543	Warning Label MAINTANCE COATED CS17	
V13	0000094371	Decal Warning finger A5x-03 US EP79	
V17	006078-00	Decal Grounding TM08	
V21	1000336879	Decal Side Cover CS23B	
V22	1000336880	LOGO Label CS23B	
Z21	004483-00	Screw Round Hex Socket M8x1.25Px25L	
Z22	1000212092	Screw SH M8X1.25PX35L MT HS SST -	
Z23	1000226252	Screw SH M8X1.25PX16L MT HS SST -	
Z24	1000221249	Washer FLT 8.0X16.0X1.0T SST -	
Z25	1000226252	Screw SH M8X1.25PX16L MT HS SST -	
Z31	1000356178	Screw Round Head M8x1.25Px20-15L Machine	
Z32	1000221258	Washer ARC 8.2X19.0X1.5T SST	
AB6	Part of Kit 1	Wheel Set PAINTING Black CS17	
AC1	Part of Kit 2	CONSOLE MAST PAINTING MATRIX SL/GY CS17	
AG13	Part of Kit 4	Handlebar-Extrawork - right up Dipping C	

Bubble#	OEM Number	Description	Notes
AG14	Part of Kit 3	HANDLEBAR LU DI - CS21	
AR1	Part of Kit 10	SPROKET SET TRANSMISSION F PAINTING BL C	
AR2	Part of Kit 11	SPROKET SET TRANSMISSION R PAINTING BL C	
AR3	Part of Kit 12	TRANSMISSION SET - MI CS17	
G20	Part of Kit 13	Cover Sensor LU ABS/PA746 BLACK CS17	
G21	Part of Kit 14	Cover Sensor RU ABS/PA746 BLACK CS17	
G22	Part of Kit 13	Cover Sensor LD ABS/PA746 BLACK CS17	
G23	Part of Kit 14	Cover Sensor RD ABS/PA746 BLACK CS17	
G33	ler left hand grip set ( Membrane		
G35	er right hand grip set Membrane		
P14	Part of Kit 5	BRACKET E-PORT SPHC 1.6T BAN CS17	
P16	Part of Kit 5	NETWORK SIGNAL WIRE 1700(3205645600+TKP	
P36	Part of Kit 6	SCREW TH M5X0.8PX10L PH BZN	
P37	Part of Kit 6	Washer Flat X5.2xX16.0x1.0T BL Zn Ro	
P39	Part of Kit 6	LED MAINTAIN LIGHT PROCESS 5.2x3mm CS17	
Q01	Part of Kit 7	Side Cover left ABS/PA756S Gray/80435	
Q02	Part of Kit 8	Cover right ABS/PA756S Gray/80435 CS23	
R08	Part of Kit 12	PULLEY POLY-V FC25 J10200 ROHS	
R12	Part of Kit 12	Flywheel Set 214 FC25	
R14	Part of Kit 12	AXLE IDLER S45C WZN CS17	
R18	Part of Kit 12	KEY ROUND DUAL-END 6X6X16L	
03	1000229856	Arm Rest set - left up CS21	Discontinued - Discontinued
13	1000209257	Handgrip Set L CS17	Discontinued - Discontinued
14	1000229891	Pulse Sensor Grip Set - right CS21	Discontinued - Discontinued
21	1000212516	Pulley Set - CS17 - \\ D/C - Part will show as orderable until stock is depleted.	Discontinued
61	1000337952	Connect Board Set Receiver left CS24	Discontinued - Discontinued
62	1000337953	Connect Board Set Transmission right CS	Discontinued
AB1	1000328449	Frame Welding Set painting F75 D2 DA23	Discontinued - Discontinued
AB3	1000233812	Frame Welding Set - L painting CS22 F75A	Discontinued
AB3	1000328464	Frame Set L painting F75 D2 DH042 Rhino	Discontinued
AG15	1000328456	Arm Rest set L painting F75 D2 DH042 Rh	Discontinued - Discontinued
AG15	1000229865	Arm Rest set - L painting CS21 F75A2-DH0	Discontinued
AR10	1000229122	TRANSMISSION SET CS17	Discontinued - Discontinued

Bubble#	OEM Number	Description	Notes
AR2	1000203794	Sprocket Set Bottom PAINTING - BL\\ D/C, NO REPL: Part will show as orderable until stock is depleted.	Discontinued
B53	1000208780	Axle, Central SS41 WZN TRANSPORT WHEEL	Discontinued
B56	1000222580	Spacer A RAIL SS41 BAN CS17	Discontinued
B91	004385-AE	Screw Phillip BH M5x0.8Px12L BED Gap	Discontinued - Discontinued
E09	005039-00	Washer Flat 8.2x16.0x1.0T	Discontinued
Not Shown	002787-C	Power Cord External(USA) 3000,14AWG 110V(nema)	Discontinued
Not Shown	061769-B	Power Cord NEMA 15 feet 90 DEGREE\\ D/C, See POWER CORD CHEAT SHEET for notes on replacement	Discontinued
P01	0000084632	Wire Digital Comm 2000(MOLEX,50-70-9408x	Discontinued - Discontinued
P09	1000209864	AC Power Socket Wire CS17	Discontinued
P25	1000396729	Photo Interrupter Set TLP1243 CS24	Discontinued
P25	1000213860	Photo Interrupter GP1A75E000F CS17	Discontinued - Discontinued
P25	1000396729	Photo Interrupter Set TLP1243 CS24	Discontinued - Discontinued
Q05	1000309614	shield set Frame up CS23	Discontinued -
Q08	1000309618	Cover Plate left ABS BL CS23	Discontinued
Q12	1000211385	Plastic Cover U MARIX Cover 80435	Discontinued
Q39	1000336924	Bousing Receiver ABS/PA757 BL/Black C \\ D/C - Part will show as orderable until stock is depleted.	Discontinued
R15	020477-00	Washer Flat 10.2X20.0X2.0T Black Zinc	Discontinued
R24	1000221250	Sealed Chain Transmission 40-82L 1 C/L	Discontinued
R24	1000432542	Sealed Chain Transmission 40-82L 1 C/L	Discontinued
R26	1000217582	Bushing SS41 NKL IDLER	Discontinued - Discontinued
R27	1000230371	BEARING PLB LCP204-LLU 20(NKB)	Discontinued
R36	1000350726	Supt Base TRANSMISSION painting Flat B\\ D/C, NO REPL: Part will show as orderable until stock is depleted.	Discontinued
R45	1000203334	DC Brake YC803 24VDC 0.8A 10Nm CS17 US	Discontinued - Discontinued
R57	005815-00	Cable Tie Nylon 160 BL KSS CV-160L	Discontinued - Discontinued
Z31	1000211360	Screw SH M8X1.25PX20L MT HS SSTSUS304	Discontinued - Discontinued